



Grooved Check Valve

- Installed in both Horizontal or Vertical Line with Upward Flow
- Easier and Faster to Maintain and Install
- Low Pressure Drop
- EPDM non-stick leak tight sealing
- All Stainless Steel Wetted Parts to Provide Superior Corrosion Resistance
- FM Approved & UL/ULC Listed



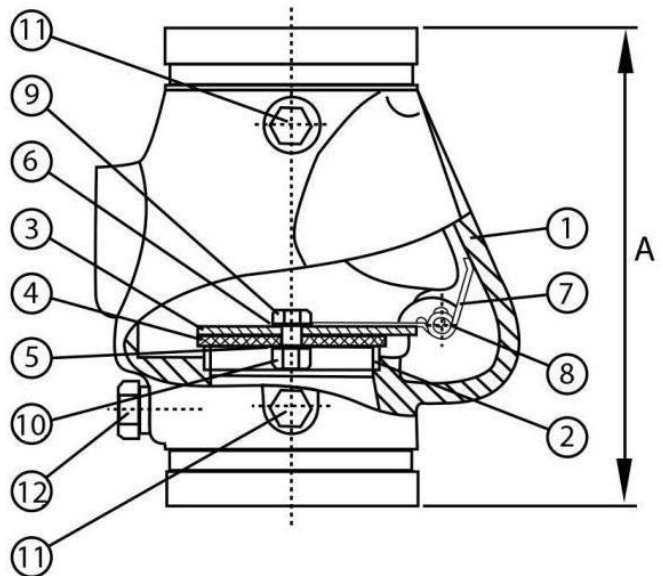
Material Specifications

PART	SPECIFICATION
1. Body	Ductile Iron ASTM A 536
2. Seat	Bronze
3. Clapper	Stainless Steel 304
4. Facing Seal	EPDM Rubber
5. Clamping Ring	Stainless Steel 304
6. Gasket	EPDM Rubber
7. Spring	Stainless Steel 304
8. Hinge Pin	Stainless Steel 304
9. Bolt	Stainless Steel 304
10. Locknut	Stainless Steel 304
11. Plug 1/4" NPT	Carbon Steel
12. Plug 1/2" NPT	Carbon Steel



Dimension

size	A	Weight
In.	In.	lbs
2	6.65	5.5
2 1/2	7.20	8.8
3	7.80	13
4	8.58	20
6	10.63	42
8	12.80	77



The information contained herein is believed to be reliable but is for guidance only. Brecco Distribution and its agents cannot assume liability for results obtained in the use of its products by the persons whose methods are outside or beyond our control. It is the user's responsibility to determine the suitability of any products, methods of use, or preparation prior to use, mentioned in our literature. It is the user's responsibility to observe and adapt such precautions as may be advisable for the protection of personnel and property in the handling and use of any of our products.

Brecco Distribution Corp.

77 N. 45th Avenue Ste #1 Phoenix, AZ. 85043

P: (800)543-4194 F: (602)484-9248